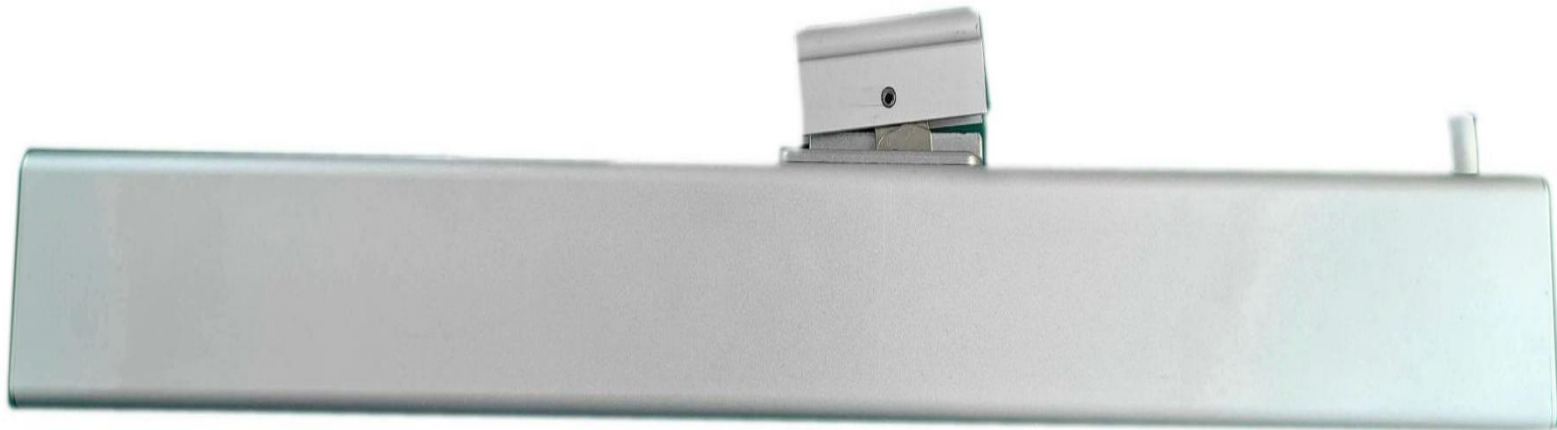


## Electric window actuator



### LS series

### Chain actuator 400N

#### Description

---

Power 400N 24VDC chain drive actuator is suitable for many automated window applications, including top hung, bottom hung and side hung windows.

- Available in various strokes
- For comfort ventilation
- For smoke ventilation EN12101-2
- Designed for surface mounting
- Can be linked to other LS actuators for larger window
- 24VDC operation
- To be used with most of windows types
- Built in electronic load switch off/end stop
- Tested with 10,000 opening and closing movements
- VDE silicon cable and stainless chain
- Overload protection
- Protection Grade : IP32
- To be used together with  $\pm 24$ VDC control units
- Easy mounting
- Anodised silver finish standard, RAL colours available

## Technical specifications

Model	LS
Nominal Voltage	24VDC±10%
Max.force	400N
Stroke	100-1000mm
Full load current	2A
Opening speed (mm/s)	7-14
Protection Degree	IP32
Life Span	10,000
Switch-on-duration	ED 40% (max. 4min. per 10min)
Operating temperatures	-10°C-- +65°C
Size	40 x 51mm (H x D), length (L) depending on stroke – see table
Parallel connection possibility	YES
Safety stops	electronic
Standard Cable length	1.5m
Colour	Anodized aluminium. RAL colours available with extra cost
Window types	Top-hung, bottom-hung, pivot and side hung windows
Accessory options	Outward opening brackets, inward opening brackets
Note	We reserve the right to make technical changes.

## Window types



Top hinged window

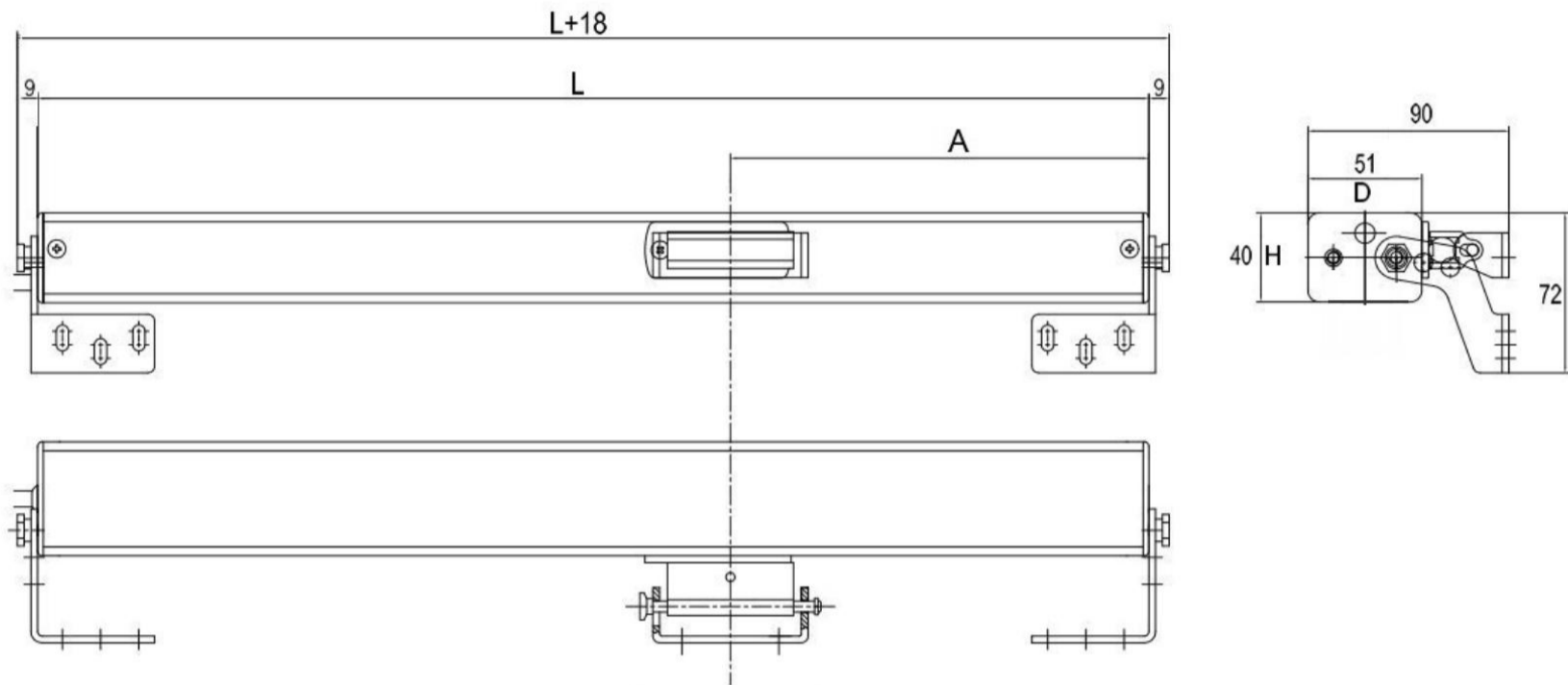


Bottom hinged window



Side hinged window

## Dimension



Model	Stroke (mm)	Length(L) (mm) (incl screws+18mm)	Height (H) (mm)	Depth(D) (mm)	Dimension (A) (mm)
LS-300-DC24	300	400	40	51	175
LS-400-DC24	400	450	40	51	175
LS-600-DC24	600	550	40	51	175
LS-800-DC24	800	650	40	51	175
LS-1000-DC24	1000	750	40	51	175

## Accessory options



Bracket set for outward opening



Bracket set for inward opening