

Electric Linear Window Actuator



LG series

Linear actuator 1000N

Description

Power 800N 24VDC linear drive actuator is suitable for many automated window applications, including top hung, bottom hung and side hung windows.

- Available in various strokes
- For comfort ventilation
- For smoke ventilation EN12101-2
- Designed for surface mounting
- Can be linked to other LG actuators for larger window
- 24VDC operation
- To be used with skylight and heavy window types
- Tested with 10,000 opening and closing movements
- VDE silicon cable
- Overload protection
- Protection Grade : IP65
- To be used together with ± 24 VDC control units
- Easy mounting
- Anodised silver finish standard, RAL colours available

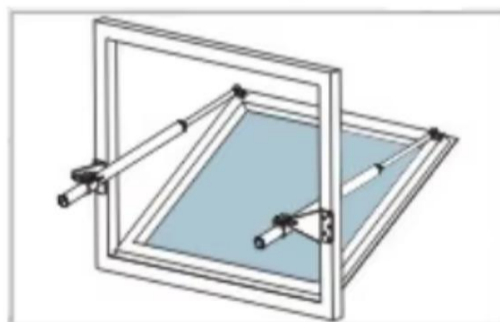
Technical specifications

Model	LG-M
Nominal Voltage	24VDC±10%
Max.force	1000N
Stroke	50-1000mm
Full load current	1.7A
Opening speed (mm/s)	7
Protection Degree	IP65
Life Span	10,000
Travel stops for open and closed direction	Over current protection
Operating temperatures	-10°C-- +65°C
Dimension	(S+275mm)*Φ37
Parallel connection possibility	YES
Standard Cable length	1.5m
Colour	Anodised silver finish standard, other RAL colours are available
Window types	Skylight, Top-hung, bottom-hung, pivot windows, Shutter
Accessory options	Different brackets are offered based on project demand
Note	We reserve the right to make technical changes.

Window types



Top hinged window

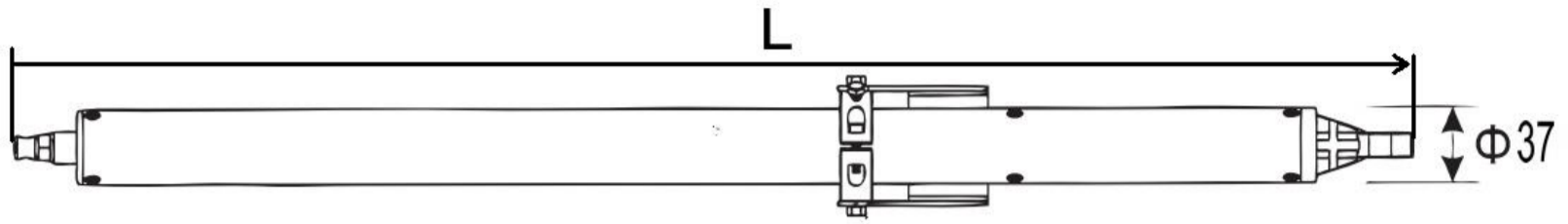


Bottom hinged window



Skylight

Dimension



Model	Stroke (mm)	Length(L) (mm)	Diameter (D) (mm)
LG-M-300	300	575	$\Phi 37$
LG-M-400	400	675	$\Phi 37$
LG-M-600	600	875	$\Phi 37$
LG-M-800	800	1075	$\Phi 37$
LG-M-1000	1000	1275	$\Phi 37$

Accessory options



Bracket Set A



Bracket Set B

